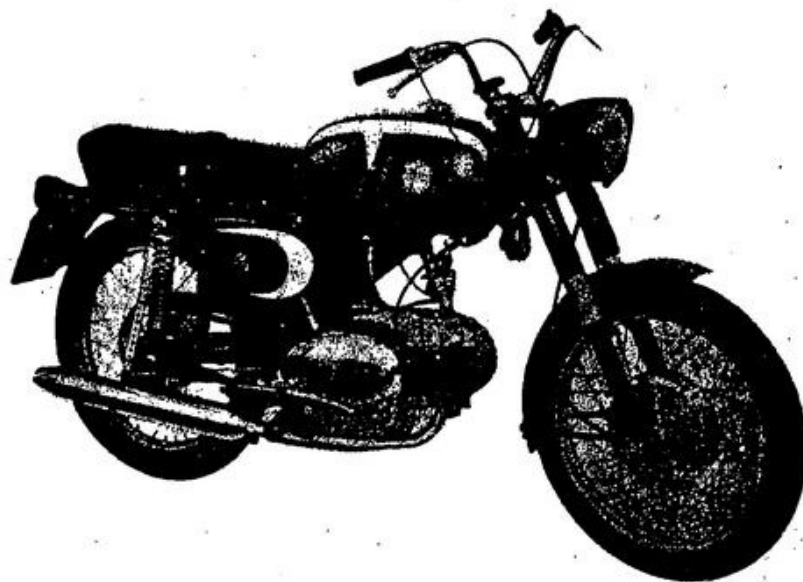


# Benelli

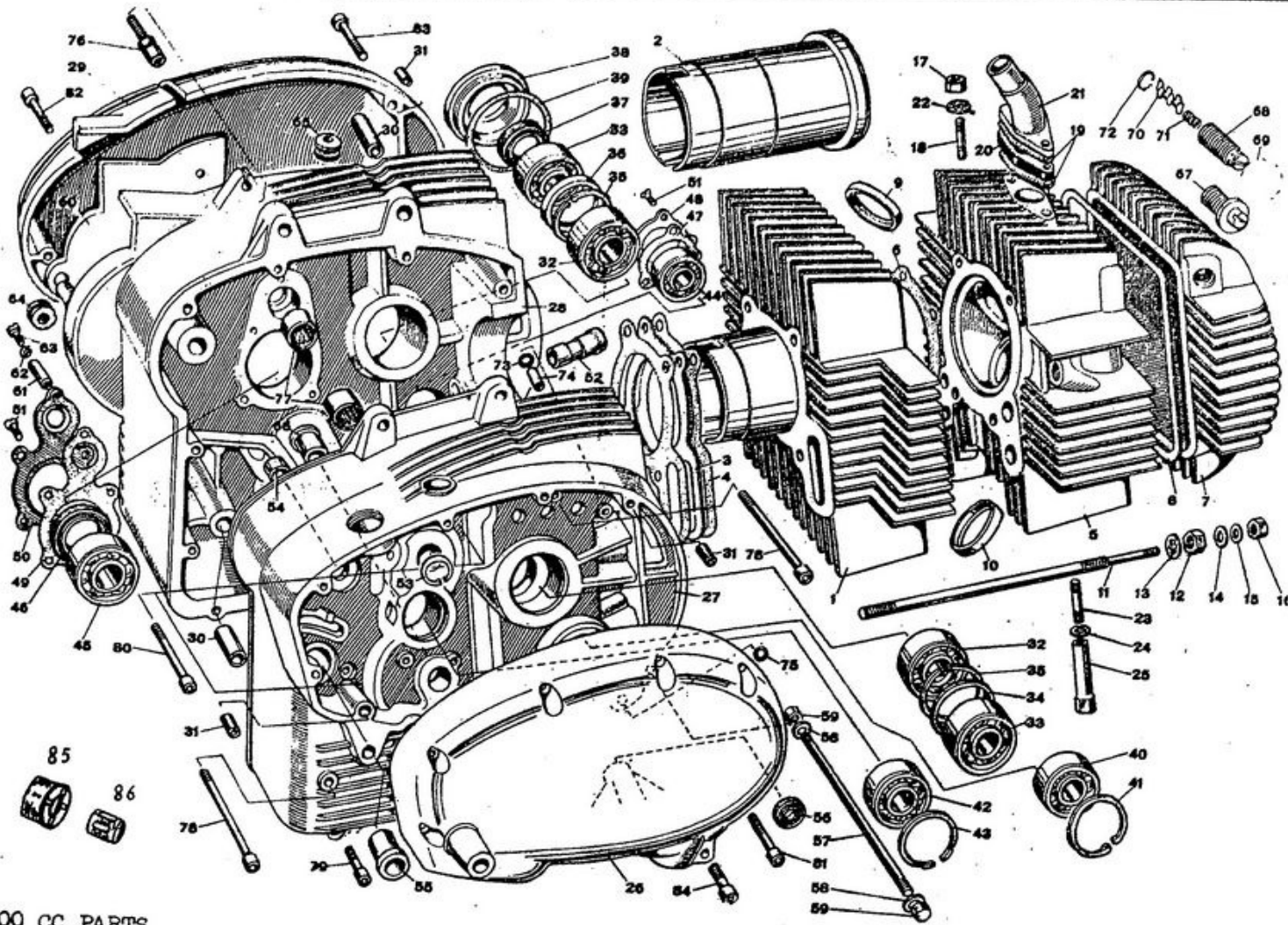
## PARTS MANUAL



**200 cc SPRITE**

**\$10.00**

**COSMOPOLITAN MOTORS, INCORPORATED**  
JACKSONVILLE & MEADOWBROOK ROADS, HATBORO, PA. 19040 (215) 682-9100  
SOLE U.S. IMPORTERS AND DISTRIBUTORS OF BENELLI MOTORCYCLES / PIRELLI TIRES / AGV AND COSMO HELMETS



200 CC PARTS

ENGINE GROUP, CYLINDER, CYLINDER HEAD, CRANKCASE, COVER

TABLE 1

Ref.	Part No.	Description	Ref.	Part No.	Description
1	3601	Cylinder complete	22	2556	Intake manifold lock washer
2	3600	Cylinder sleeve	23	2542	Exhaust pipe stud
3	3826	Alum. cylinder base gasket	24	2509	Exhaust pipe lock washer
4	3876	Paper cylinder base gasket	25	2550	Exhaust pipe nut (special)
5	3602	Cylinder head	26	3605	R.H. cover (clutch side)
6	3712	Cylinder head gasket	27	3827	R.H. half cranc. (clutch side)
7	2420	Rocker box cover	28	3828	L.H. half cranc. (flywheel magneto side)
8	2421	Alu. rocker box cover gasket	29	3606	L.H. cover (flywh. mag. side)
9	2826	Inl. valve seat	30	2380	Crankcase centering bushing
10	2837	Exhaust valve seat	31	2383	Crankcase covers center. bush.
11	3320	Cylinder & cyl. head stud	32	2911	Crankshaft bearing (25x47x12)
12	3818	Nut for cylinder stud	33	2874	Cranksh. bear. mag. side (20 x 47 x 20.6)
13	3817	Washer for nut	34	2920	Crankshaft bearing spacer
14	2541	Rocker box cover gasket	35	3220	Seeger ring for bear. (J 47 x 1.75)
15	2510	Rocker box cover flat washer	36	2919	Main bearing shim
16	2511	Rocker box cover nut	37	1765	Oil seal flywh. mag. side (20 x 30 x 7)
17	2511	Intake manifold nut			
18	2695	Intake manifold stud			
19	2543	Intake manifold gasket			
20	2688	Intake manif. fiber spacer			
21	2866	Intake manifold			

www.rpworld.it

## 200 CC PARTS

ENGINE GROUP, CYLINDER, CYLINDER HEAD, CRANKCASE, COVER TABLE 1

Ref.	Part No.	Description	Ref.	Part No.	Description
36	2849	Main bear. threaded hold ring	60	3646	Countersh. cover plate
39	2875	Gasket f/threaded hold ring	61	2806	Bear. cover pl. bolt special
40	2244	Cam shaft bear. mag. side (17 x 40 x 12)	62	2521	L. wash. for countershaft sprocket
41	CS46	Cam shaft bear. seeger ring (J40 x 1.75)	63	3594	Bearing cover plate screw
42	2244	Pri. shaft bear. clutch side (17 x 40 x 12)	64	2807	Rub. ring for countershaft sprocket cover plate
43	3209	Seeger for pri. shaft bear. (J40 x 1.75)	65	2572	Rubber ring f/magneto wire
44	2540	Cam shaft bear. mag. side (12 x 32 x 10)	66	2248	Kick starter shaft bushing
45	2530	Bear. for final drive gear (25 x 52 x 9)	67	SD3	Rocker box cover breather comp.
46	2536	Final dr. gear oil seal (30 x 40 x 7)	68	2697	Rocker box cover breather body
47	2435	Cam shaft bear. cover pl. gasket	69	2698	Rocker box cover breather ring
48	3176	Cam shaft bear. cover pl.	70	2699	Rocker box cover breather plate
49	2433	Final dr. bearing cover pl. gasket	71	2700	Rocker box cover breath. spring
50	2432	Final dr. bearing cover pl.	72	2696	Rocker box cover breather circlip
51	2436	Bearing cover plate screw	73	2417	Crankcase rubber ring
52	2294	Cam follower bushing	74	3152	Oil conduct. bush. to push rod
53	3245	Sec. shaft, needle cage, secu. seeger (J20 x 1)	75	2417	R.H. cover rubber ring
54	2353	Desmodromic shaft bushing	76	CS229	Clutch cable adjuster
55	2566	Preselector bushing	77	3230	Secondary shaft needle cage
56	2314	Cranksh. oil seal on R.H. cover (10 x 19 x 7)	78	2385	Allen screw for crankcase (6 x 75)
57	3151	Crankcase stud	79	2555	Allen screw for crankcase (6 x 20)
58	3561	Wash. for crankcase stud	80	2387	Allen screw for crankcase and R.H. cover (6 x 50)
59	3796	Nut for crankcase stud	81	2388	R.H. cover screw (6 x 45)
			82	2390	R.H. & L.H. cover screw (6 x 30)
			83	2389	R.H. & L.H. cover screw (6 x 40)
			84	2554	R.H. cover screw (6 x 25)

**NOTE:** From Frame No. 475611 and up, the following modifications are applied:

Pic. 77, Part No. 3230 on L.H. side half crankcase, has been substituted with:  
Pic. 85, Part No. 3930 and Pic. 86, Part No. 3917.

The washer (Table 3) Pic. 38, Part No. 3244 is eliminated on L.H. half crankcase.

PAGE 4

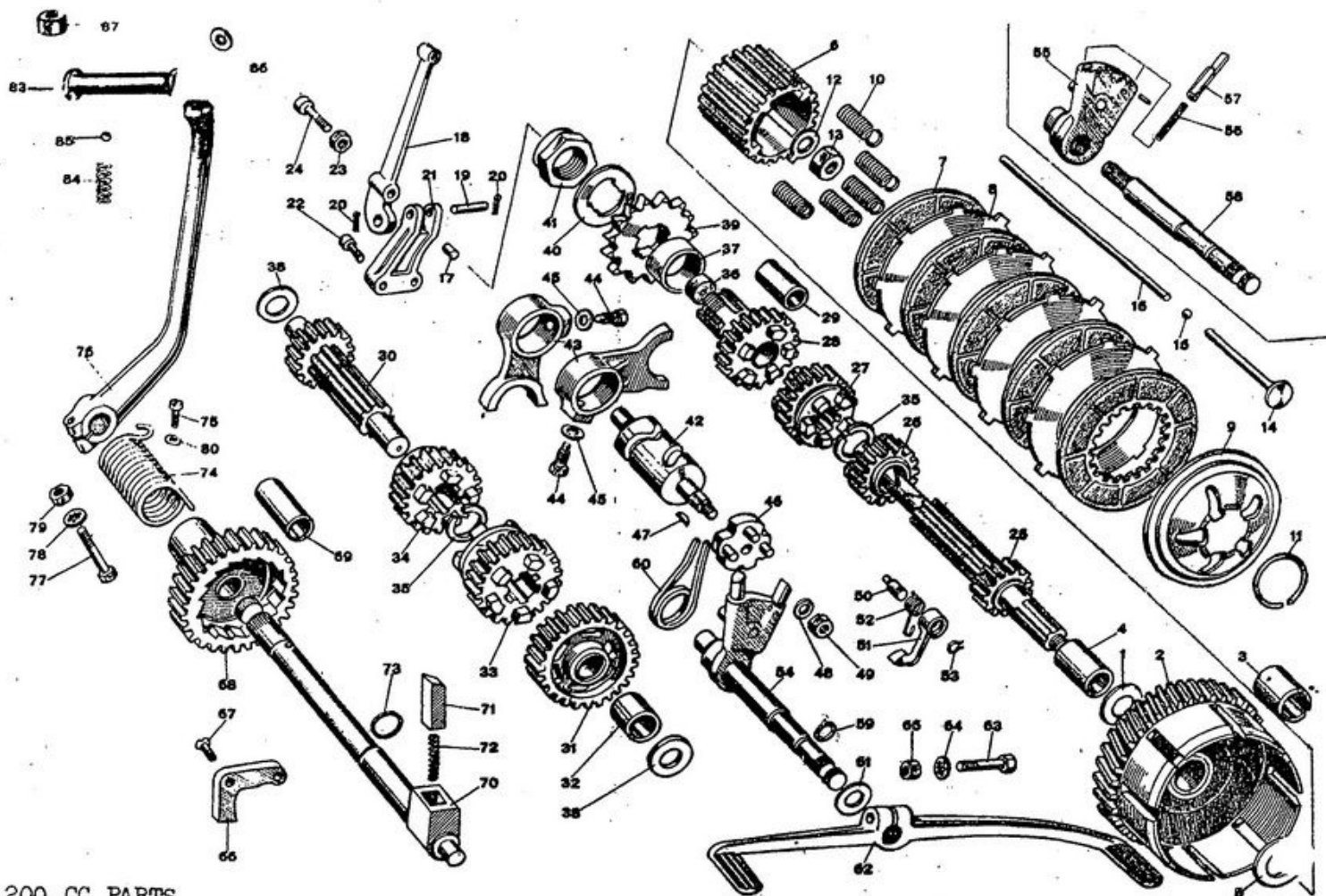
MISSING

## 200 CC PARTS

ENGINE, CRANKSHAFT, DISTRIBUTION, OIL PUMP, FLYWHEEL MAGNETO

TABLE 2

Ref.	Part No.	Description	Ref.	Part No.	Description
25	SD8	Lower light coil	60	3825	Exhaust valve
26	SD9	Coils screw	61	3317	Valve keeper
27	SD10	Lock washer for screw	62	2656	Rock. arm shaft secur. screw
28	SD11	Flat washer for screw	63	3203	Upper valvespring plate
29	SD12	Point set	64	3208	Outer valve spring
30	SD13	Point screw (4 x 8)	65	3269	Inner valve spring
31	SD14	Condenser	66	3203	Lower valve spring plate
32	SD15	Condenser screw (4 x 8)	67	3823	Valve guide
33	SD16	Lock washer f/condenser screw	68	2391	Oil pump complete
34	SD17	Point shaft washer	69	2392	Oil pump gear
35	SD18	Point shaft seeger ring	70	2393	Oil pump gear seeger ring (E8)
36	SD19	Automatic advance cam	71	2368	Oil pump gear key
37	SD20	Automa. adv. cam ret. ring	72	2903	Oil pump body
38	SD21	Centrifugal plate	73	2904	Oil pump driving gear
39	SD22	Centrif. pla. ret. seeger ring	74	2905	Oil pump driven gear
40	SD23	Centrif. plate spring	75	2396	Oil pump driven gear shaft
41	SD24	Centrif. pla. spr. ret. seeger ring	76	2906	Oil pump trust disc
42	SD232	Flywheel	77	2399	Oil pump cover
43	3656	Cam gear	78	2400	Oil pump cover screw
44	2528	Cam gear key	79	2401	Oil pump cover centering pin
45	3657/0	Cam shaft (profile sport)	80	2398	Oil pump gasket
46	2313	Cam shaft gear locking nut	81	2402	Oil pump screw (6 x 22)
47	2871	Cam follower	82	2541	Gasket for oil pump screw
48	2819	Intake push rod long	83	2510	Washer for oil pump screw
49	2818	Exhaust push rod short	84	2403	Oil pump seal ring
50	3366	Rocker arm adjuster	85	2705	Engine breather
51	3667	Rocker arm adj. washer	86	2682	Gasket for engine breather connector
52	3367	Rocker arm adjuster lock nut	87	SD26	Breather tube
53	3205	Intake rocker arm	88	2412	Oil dipstick
54	3206	Exhaust rocker arm	89	2414	Oil dipstick gasket
55	3199	Rocker arm shaft	90	2411	Oil filter plug
56	3276	Rocker arm trust washer	91	2410	Oil filter plug gasket
57	3275	Rocker arm trust spring wash.	92	2409	Oil filter spring
58	3198	Rocker arm support	93	3169	Outer oil filter complete
59	3824	Intake valve	94	3171	Inner oil filter complete

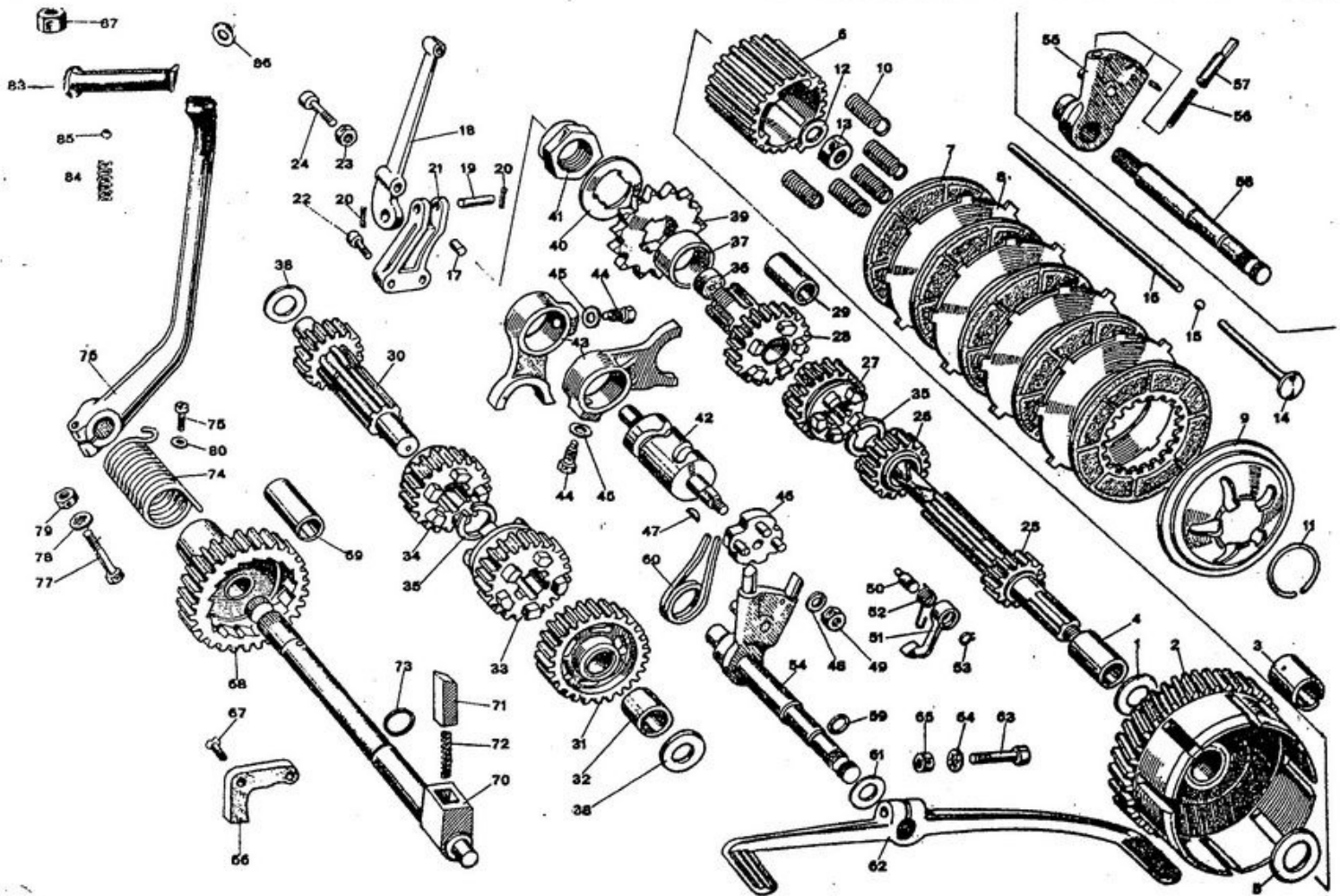


200 CC PARTS

ENGINE, CLUTCH, GEAR BOX, CALKING, STARTING

TABLE 3

Ref.	Part No.	Description	Ref.	Part No.	Description
1	3587	Clutch crown trust washer	23	2506	Nut for cl. adjust. screw
2	3623	Clutch crown with bushing	24	2555	Clutch adj. screw (6 x 20)
3	3625	Clutch crown bushing	25	3647	Primary shaft
4	3626	Clutch crown steel bush.	26	3648	2nd gear on primary shaft
5	3857	Cl. crown & cl. hub trust washer	27	3649	3rd gear on primary shaft
6	2207	Clutch hub	28	3670	4th gear on pri. shaft w.bush
7	2212	Driven clutch disc w/insert	29	2245	Bush. f/4th gear on pri. shaf
8	2211	Clutch drive disc steel	30	3671	Secondary shaft
9	2209	Clutch pressure disc	31	3651	1st gear on sec. shaft w.bush
10	3789	Clutch spring	32	3246	1st gear bush. on 2nd shaft
11	2090	Clutch spring et. ring	33	3652	2nd gear on secondary shaft
12	2102	Safety wash. f/cl. hub nut	34	3653	3rd gear on secondary shaft
13	2092	Clutch hub locking nut	35	2535	Gears securing ring
14	2093	Clutch rod short	36	2531	Clutch rod oil ring
15	2560	Clutch ball 3/16	37	2250	Countersh. sprkt. spacer ring
16	3858	Clutch rod long	38	3244	Secondary shaft trust washer
17	2235	Roller for clutch adjuster	39	2031/T	Countersh. sprkt.
18	2234	Clutch lever			14-15 16-17 T
19	2236	Clutch lever pin	40	2534	Countersh. sprkt. nut safe
20	2237	Cutter pin f/cl. lever shaft			washer
21	3608	Clutch lever support	41	2533	Countershaft sprocket nut
22	2555	Cl. lever support screw (6 x 20)	42	2347	Desmodromic shaft
			43	2350	Shafting fork
			44	2440	Guiding bolt for shifting for



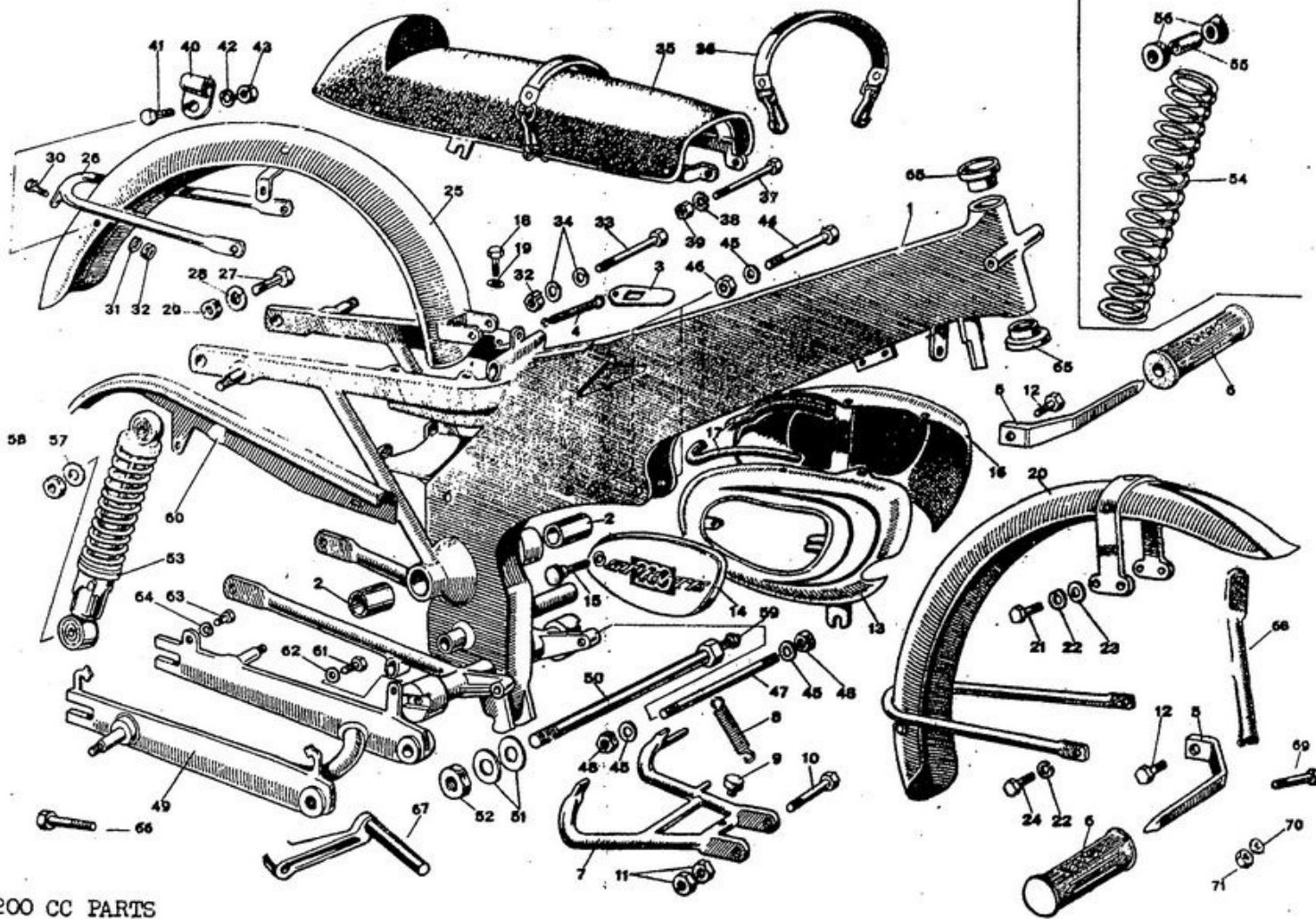
200 CC PARTS

ENGINE, CLUTCH, GEAR BOX, CALKING, STARTING

TABLE 3

Ref.	Part No.	Description	Ref.	Part No.	Description
45	2441	Guiding bolt safety washer	67	3620	Kickstarter shaft stop bracket screw (5 x 18)
46	2346	Shifting drum	68	3616	Kickstar. gear with bushing
47	2368	Shifting drum key	69	3618	Kickstar. gear bushing
48	2558	Shifting drum lock washer	70	3614	Kickstarter shaft
49	2557	Shifting drum lock nut	71	3612	Kickstarter ratchet
50	2354	Gear stop lever support. pin	72	3609	Kickstarter ratchet spring
51	2357	Gear stop, lever	73	3874	Kickstarter shaft oil ring
52	3663	Gear stop, lever spring	74	3610	Kickstarter lever return spring
53	2355	Gear stop, lever seeger ring	75	3594	Screw f/kickst. lever ret. spr.
54	3729	Preselector body w/shaft	76	3881	Kickstarter lever
55	3730	Preselector body	77	2372	Kickstarter lever bolt
56	3183	Catcher return spring	78	2556	Kickstar. lever bolt 1. washer
57	2361	Catcher	79	2511	Kickstarter lever bolt nut
58	3522	Preselector shaft	80	3515	Kickstarter lever ret. spr.
59	2562	Preselector shaft oil ring	8		lock washer
60	2365	Shifting lever return spring	83	2565	Folding lever
61	2366	Preselector shaft trust washer	84	3568	Spring
62	3662	Shifting lever	85	2560	Ball
63	2372	Shifting lever bolt (6 x 35)	86	3898	Flat washer
64	2556	Shifting lever bolt lock wash.	87	3899	Special nut
65	2511	Shifting lever bolt nut			
66	3619	Kickstarter shaft stop brkt.			

www.rpw.it



200 CC PARTS

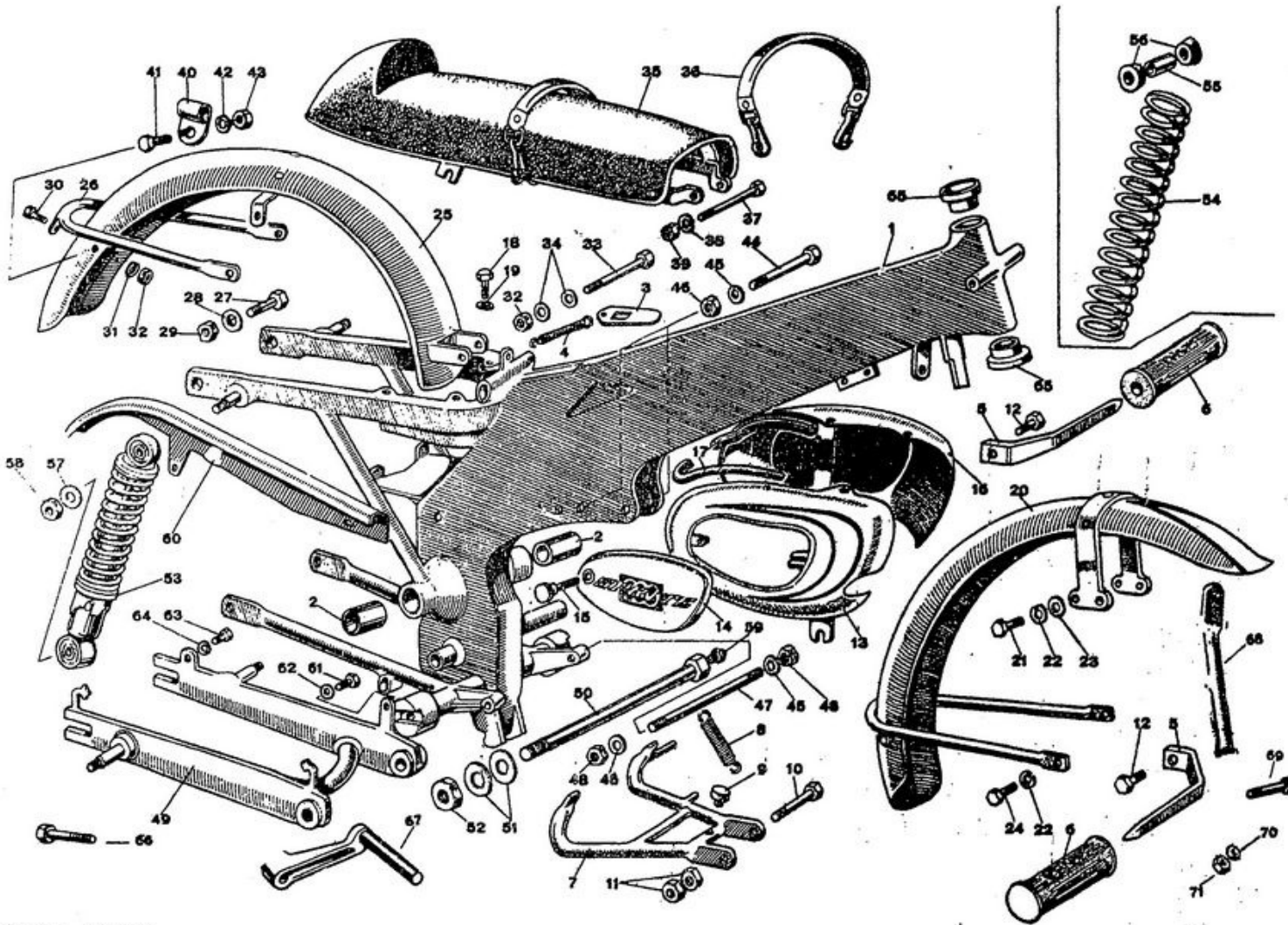
MACHINE GROUP, PRESSED STEEL FRAME

TABLE 4

Ref.	Part No.	Description	Ref.	Part No.	Description
1	2491/1	Frame	24	2520	Bolt for front fender
2	2162	Rear swing arm bushing	25	SD46	Rear fender
3	3700	Gas tank plate	26	SD47	Rear fender bracket
4	3701	Gas tank plate spring	27	3704	Rear fender & seat bolt (8 x 30)
5	2578	Foot peg	28	2549	Flat wash. f/rear fender bolt
6	2579	Foot peg rubber	29	2512	Bolt for rear fender
7	SD40	Center stand	30	2520	Rear fender bolt (6 x 12)
8	2600	Center stand return spring	31	2509	L. wash. f/rear fender bolt (6, 4)
9	2595	Center stand stop rub. plug	32	2511	Rear fender nut
10	3688	Center stand bolt (12 x 85)	33	3323	Rear fender bolt (6 x 60)
11	CS431	Center stand bolt nut	34	2510	Wash. f/rear fender bolt (6,4)
12	2519	Foot peg bolt (10 x 20)	35	SD48/A	Double seat
13	SD41	R.H. tool box	36	SD49	Strap for seat
14	SD42	R.H. tool box cover	37	2515	Screw f/seat front (8 x 75)
15	3685	R.H. tool box knob	38	2508	Washer for seat (8, 4)
16	SD43	L.H. tool box	39	2512	Nut for seat
17	SD44	Rubber strip for tool box	40	3690	Breather clamp
18	2520	Tool box screw (6 x 12)	41	2520	Breather clamp screw (6 x 12)
19	2510	Tool box screw flat wash.	42	2509	Breather clamp screw l. was
20	SD277	Front fender	43	2511	Breather clamp nut
21	2524	Front fender bolt (6 x 15)	44	2545	Engine mounting bolt (10 x 50)
22	2509	Front fender bolt l. washer			
23	2510	Flat washer for front fender			

www.motocyclet.com



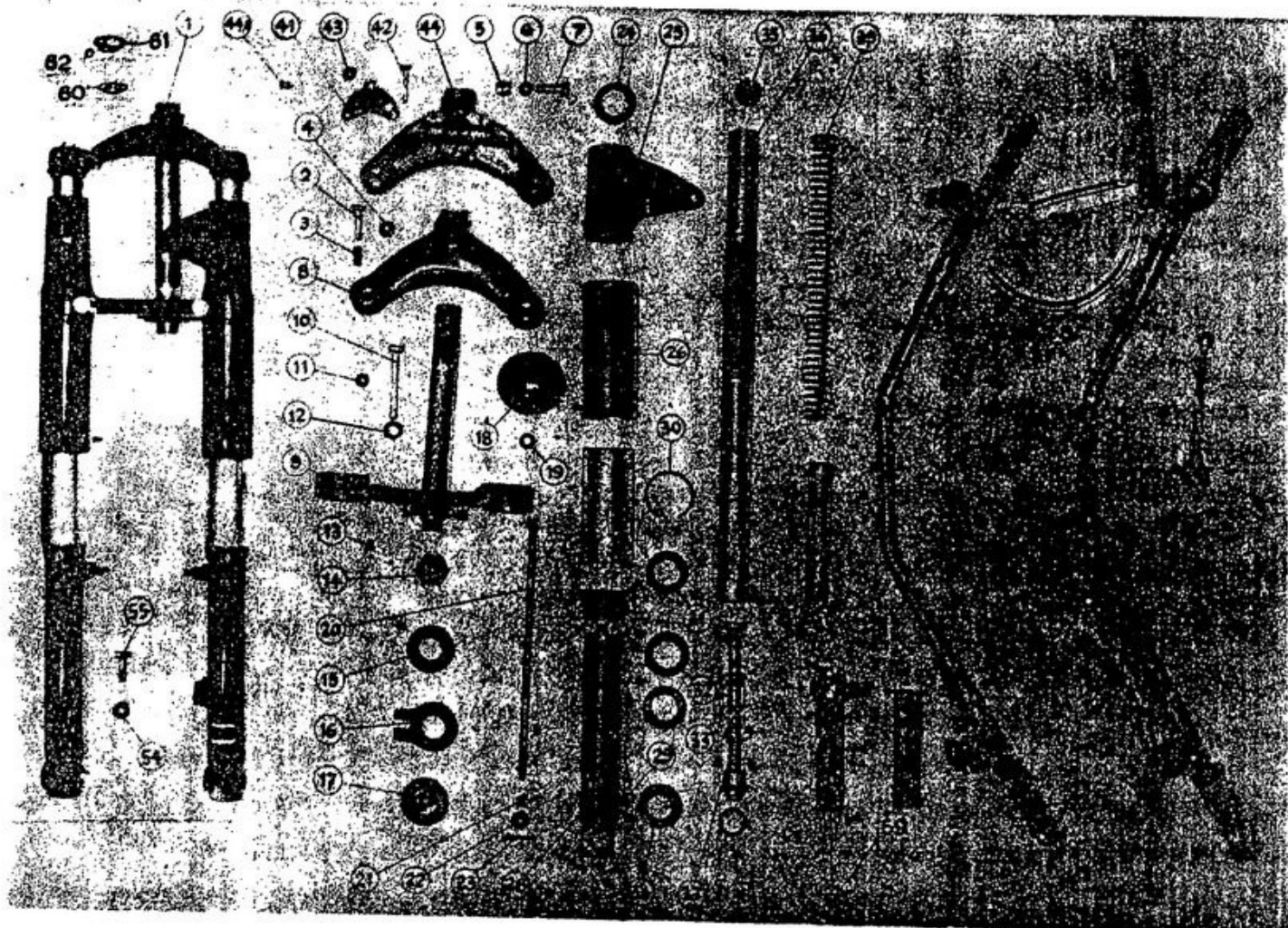


200 CC PARTS

MACHINE GROUP, PRESSED STEEL FRAME

TABLE 4

Ref.	Part No.	Description	Ref.	Part No.	Description
45	2636	Flat wash. f/ engine bolt	60	SD54	Chain guard
46	2546	Nut f/upper engine bolt	61	2523	Chain guard screw front
47	3873	Engine mounting stud	62	2510	Flat wash. f/chain guard screw front (6,4)
48	2514	Nut f/lower mounting bolt	63	2520	Chain guard screw rear
49	2640	Rear swing arm	64	2509	L. wash. f/chain guard screw R
50	2185	Rear swing shaft	65	2574	Steering cap
51	2186	Rear swing trust washer	66	SD366/A	Folding footpeg bolt
52	2187	Rear swing nut	67	366/D	R.H. folding foot peg
53	SD50	Shock absorber	67	366/S	L.H. folding foot peg
54	SD51	Shock absorber spring	68	SD40/A	Side stand
55	SD52	Shock absorber spacer tube	69	3688/A	Side stand bolt
56	SD53	Shock absorber rubber gromet	70	3688/1A	Washer
57	2517	Shock absorber washer	71	CS431/A	Nut
58	2514	Shock absorber nut			
59	3030	Shock absorber shaft grease nipples			



200 CC PARTS

MACHINE GROUP, FRONT FORK, HANDLEBAR

TABLE 5M

Ref.	Part No.	Description	Ref.	Part No.	Description
1	SD310/M	Front fork complete	23	SD332	Cutter pin for rod
2	SD311	Bolt for fork tube	24	SD333	Rubber ring for upper cover
3	SD312	Rubber seal for bolt	25	SD334/DM	R.H. upper cover
4	SD313	Washer for bolt	25	SD334/SM	L.H. upper cover
5	SD314	Spec. nut f/upper fork brkt.	26	SD 335/D	R.H. spring cover
6	SD315	Washer for special nut	26	SD335/S	L.H. spring cover
7	SD316	Upper fork bracket bolt	27	SD336	Fork cover chromed
3	SD317	Upper fork bracket	28	SD337/D	R.H. wheel support tube
9	SD318	Lower fork brkt. w/steer. column	28	SD337/S	L.H. wheel support tube
10	SD319	Lower fork bracket bolt	29	SD338	Oil drain screw
11	SD320	Washer for bolt	30	SD339	Circlip for wheel support tube
12	SD321	Nut for bolt	31	SD340	Washer f/wheel support tube
13	SD322	Fork tube cover screw	32	SD341	Felt for spring
14	SD323	Steering lock nut	33	SD342	Washer for felt
15	SD324	Steer. damper fiber washer	34	SD343	Oil seal
16	SD325	Steering damper plate	35	SD344	Fork tube plug
17	SD326	Steer. damper threaded washer	36	SD345	Fork tube
18	SD327	Steer. damper knob rod	37	SD346	Hydraulic tube complete
19	SD328	Steering damper washer	38	SD347	Gasket for hydraulic tube
20	SD329	Steering damper knob	39	SD348	Fork spring
21	SD330	Steering damper spring	40	SD349	Tube for spring
22	SD331	Washer for steering damper	41	SD350	Handlebar clamp
			42	SD351	Screw for handlebar clamp

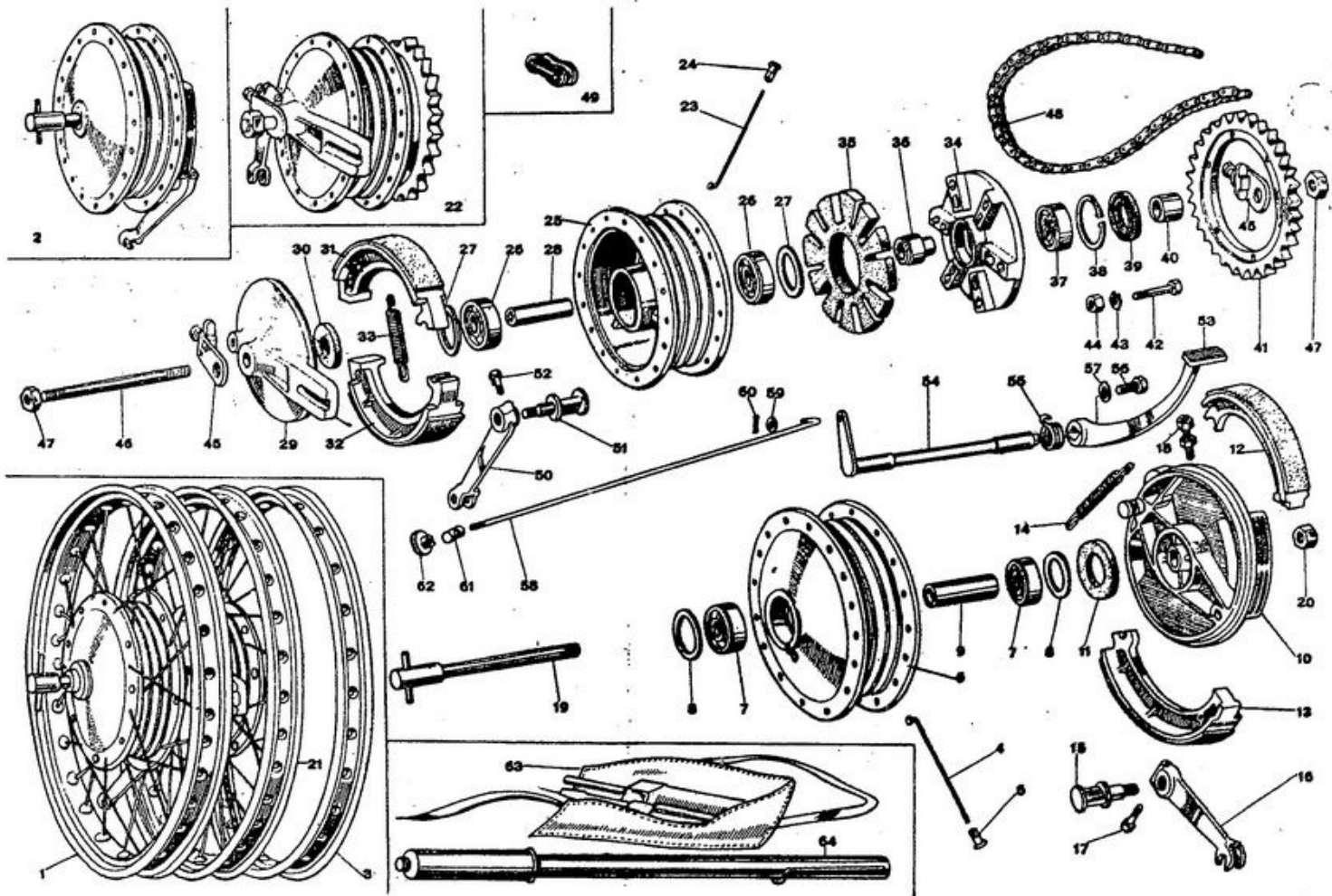
www.rfw.it

## 200 CC PARTS

MACHINE GROUP, FRONT FORK, HANDLEBAR

TABLE 51

Ref.	Part No.	Description	Ref.	Part No.	Description
43	SD352	Washer for screw	52	SD363	Nut for screw
44/A	SD353	Handlebar screw	53	SD364	Throttle trust grip complete
44	SD354	Upper fork bracket	54	SD349/O	Washer
45	SD356/A	Handlebar complete	55	SD349/M	Hexagonal screw
46	SD357/A	Handlebar bare	56	SD96/A	Throttle cable complete
47	SD358	Front brake lever	57	SD97/A	Front brake cable complete
48	SD359	Clutch lever	58	SD98/A	Clutch cable complete
49	SD360	Clutch & front brake cable adjuster	59	SD100/S	Rubber grip (set)
50	SD361	Spring for adjuster	60	2573	Lower cone
51	SD362	Screw for clutch & front brake lever	61	2575	Upper cone
			62	2560	Ball bearing 3/16"



200 CC PARTS

MACHINE GROUP, FRONT WHEEL, REAR WHEEL

TABLE 6

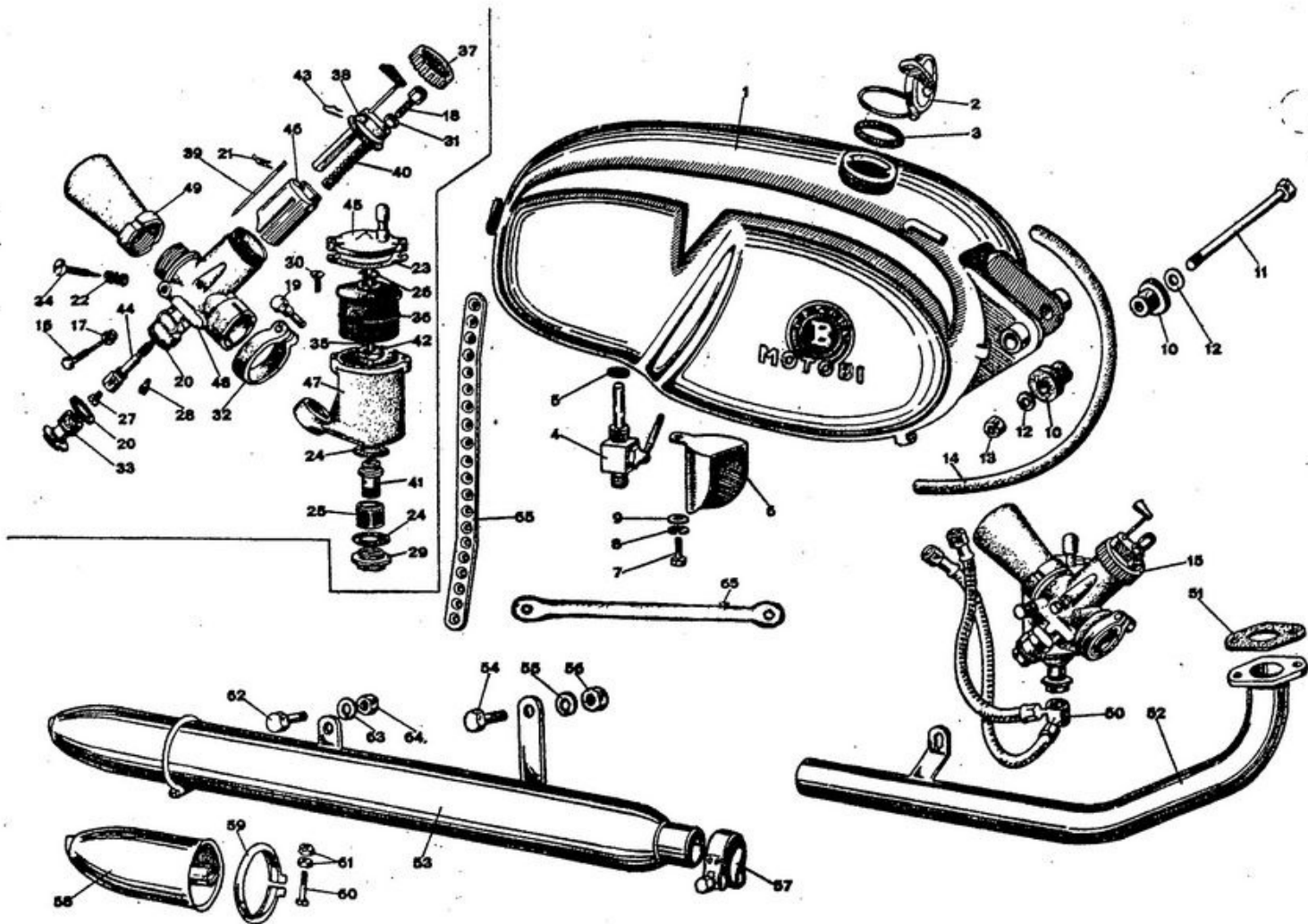
Ref.	Part No.	Description	Ref.	Part No.	Description
1	SD278	Front wheel complete	22	SD289	R. wheel hub complete
2	SD279	Front wheel hub complete	23	SD105	R. wheel spoke
3	SD280	Front wheel rim	24	SD106	R. wheel spoke nipples
4	SD105	Front wheel rim spoke	25	SD290	R. wheel hub bare
5	SD106	Nipples for spoke	26	SD108	R. wheel bear. (15 x 35 x 11)
6	SD281	Front wheel hub bare	27	SD109	R. wh. bear. dust cov. wash.
7	SD108	Front wheel bear. (15x35x11)	28	SD291	Rear wheel bear. spacer
8	SD109	Fr. wh. bear. dust cov. wash.	29	SD292	R. wheel brake shoe plate
9	SD282	Fr. wheel bearing spacer	30	SD112	R. wh. brake shoe pl. felt wash
10	SD283	Fr. wheel brake shoe plate	31	SD113	R. wh. upper brake shoe
11	SD112	Fr. wh. brake shoe plate felt washer	32	SD114	R. wh. lower brake shoe
12	SD284	Fr. wh. upper brake shoe	33	SD115	R. wh. brake shoe spring
13	SD285	Fr. wh. lower brake shoe	34	SD293	R. wheel driving plate
14	SD286	Fr. wh. brake, shoe spring	35	SD294	R. wh. rub. shock dampener ring
15	SD116	Fr. wh. brake shoe cam	36	SD295	R. wh. driv. plate internal spacer
16	SD117	Fr. wh. brake, shoe cam lever	37	SD296	R. wh. driv. pl. bear. (20x42x12)
17	SD118	Fr. wh. brake, shoe cam lever bolt (6 x 20)	38	SD297	R. wh. driv. pl. bear. seeger ring
18	SD119	Fr. brake cable adj. screw	39	SD298	R. wh. driv. pl. oil seal (25 x 42 x 6)
19	SD287	Front wheel axle	40	SD299	R. wh. drive pl. external space
20	SD121	Front wheel axle nut	41	SD300	Rear wheel sprocket
21	SD288	Rear wheel complete			

## 200 CC PARTS

MACHINE GROUP, FRONT WHEEL, REAR WHEEL

TABLE 6

f.	Part No.	Description	Ref.	Part No.	Description
42	SD301	R. wheel sprkt. screw (7 x 30)	53	2504	Rear brake pedal
43	SD137	R. wheel sprkt. L/washer (7,4)	54	3680	R. brake lever with shaft
44	SD138	R. wheel sprocket nut	55	2581	R. brake pedal return spring
45	SD150	Chain tensioner complete	56	2518	R. brake pedal screw (8 x 16)
46	SD148	Rear wheel axle	57	2549	R. brake ped. flat washer (8, 5MM)
47	SD149	Rear wheel axle nut	58	3683	Rear brake rod
48	SD302	Final drive chain	59	2510	R. brake rod flat wash.(6,4MM)
49	SD152	Final drive chain master link	60	2237	R. brake rod cutter pin
50	SD303	Rear wheel brake shoe cam lever	61	SD153	R. brake lever nipples
51	SD116	Rear wheel brake shoe cam	62	3684	R. brake adjusting knob
52	SD118	R. wh. cam lever screw (6x20)	63	SD122	Tool kit
			64	SD123	Air pump



200 CC PARTS

MACHINE GROUP, CARBURETOR, EXHAUST TUBE, FUEL TANK

TABLE 7

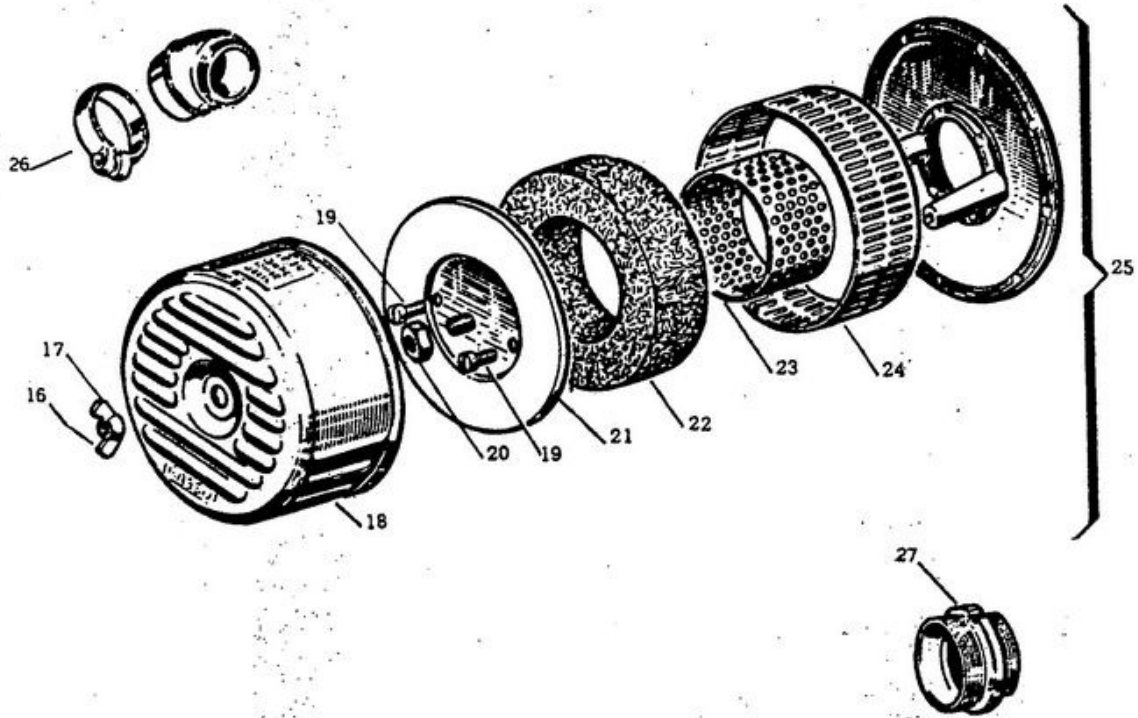
Ref.	Part No.	Description	Ref.	Part No.	Description
1	SD154	Gas tank	23	1414D	Float bowl cover gasket
2	SD155	Gas tank cap	24	1416D	Fuel line connector gasket
3	SD156	Gas tank cap gasket	25	1419D	Fuel filter
4	SD157	Petcock	26	1452D	Float bowl needle clip
5	SD158	Petcock gasket	27	1486D	Main jet
6	SD159	Air funnel protection cap	28	1488D	Idle jet
7	2523	Protection cap screw	29	1494D	Fuel connector top
8	2509	Protection cap lock washer	30	1580D	Float bowl cover screw
9	2510	Protection cap flat washer	31	1691D	Throttle cable adj. nut
10	2568	Gas tank rubber ring	32	1722D	Carburetor clamp
11	2525	Gas tank bolt front (6 x 102)	33	2086D	Float bowl top
12	2510	Gas tank flat washer (6,4)	34	2115D	Idling adjusting screw
13	2511	Gas tank nut (6MM)	35	2117D	Float bowl needle
14	SD160	Gas tank breather tube	36	2189D	Float bowl
15	4048D	Carburetor complete (UB22BS)	37	2324D	Mixture chamber cover ring
16	1095D	Carburetor slide stop screw	38	2330	Mixture chamber cover
17	1096D	Carb. slide stop screw L/nut	39	2343D	Carburetor slide needle E type
18	1104D	Throttle cable adjust. screw	40	2372D	Carburetor slide return spring
19	1111D	Carb. clamp screw	41	3169D	Float bowl needle seat
20	1382D	Float bowl body gasket	42	3170D	Float bowl needle seat L/nut
21	1407D	Carburetor needle clip	43	3570D	Choke lever clip
22	1411D	Spring for carburetor	44	2058D	Needle jet C type

## 200 CC PARTS

MACHINE GROUP, CARBURETOR, EXHAUST TUBE, FUEL TANK

TABLE 7

Part No.	Description	Ref.	Part No.	Description
45	4100D		3247	Exhaust muffler nut (10)
46	4361D		SD167	Exhaust muffler clamp
47	4891D		SD306	Exh. muffler tail cover
48	UB22BS/D		SD307	Exh. muffler tail cover clamp
49	3100D		SD170	Tail cover clamp screw
50	SD161		SD171	Tail cover clamp screw nut
51	2473		2518	Muffler bolt (8 x 16)
52	SD304		2508	Muffler lock washer
53	SD305		2512	Muffler nut
54	2519		3703/1	Muffler bracket
55	2513		3703/T	Muffler bracket



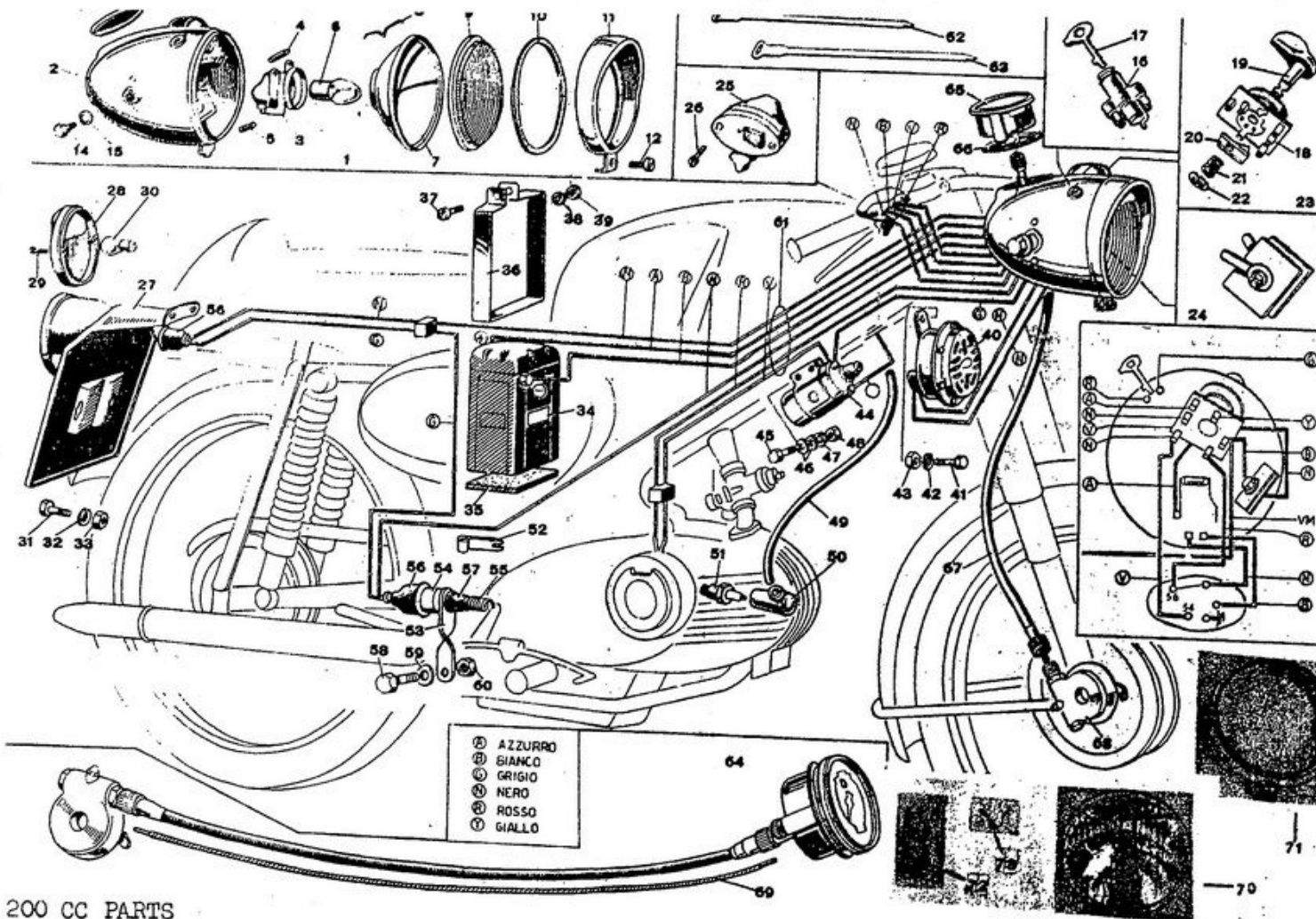
200 CC PARTS

TABLE 7A

MACHINE GROUP, CARBURETOR, EXHAUST TUBE, FUEL TANK

Ref.	Part No.	Description	Ref.	Part No.	Description
16	1187	Carter pin			
17	1829	Wing nut			
18	1186	Cover			
19	1181	Screw			
20	1197	Nut			
21	1182	Plate			
22	1201	Mesh			
23	6650	Inner guard			
24	1185	Outer guard			
25	F 20/D	Air Filter			
26	1705/D	Elbow with clamp			
27	1716/D	Reduction			





200 CC PARTS

MACHINE GROUP, IGNITION, ELECTRICAL PLANT, SPEEDOMETER

TABLE 8

Ref.	Part No.	Description	Ref.	Part No.	Description
1	SD 172	Hdlt. comp. w/sq. hole f/spdm.	21	SD 192	Headlight switch spring
1	SD 172/1	Hdlt. comp. w/round hole for speedometer	22	SD 193	Headlight switch washer
2	SD 173	Headlight shell	23	SD 194	Headlight switch complete
3	SD 174	Headlight bulb socket	24	SD 195	Rectifier
4	SD 175	Headlight bulb torp. type (6V-3W)	25	SD 196	Headlight switch on handlebar
5	SD 176	Headlight fuse	26	SD 197	Headlight switch screw
6	SD 177	Headlight bulb (6V-25-25W)	27	SD 198	License pl. w/tail lite compl.
7	SD 178	Headlight reflector	28	SD 199	Taillight lens
8	SD 179	Headlight ref. ret. spring	29	SD 200	Taillight lens screw
9	SD 180	Headlight glass	30	SD 201	Taillight bulb (6V-3-15W)
10	SD 181	Headlight glass gasket	31	SD 500	License bracket screw
11	SD 182	Headlight rim	32	2509	License plate bolt lock wash.
12	SD 183	Headlight rim screw	33	2511	License plate bolt nut
13	SD 184	Speedometer hole cover	34	SD 202	Battery
14	SD 185	Headlight bolt	35	2599	Battery rod
15	SD 186	Headlight bolt flat washer	36	3687	Battery strap
16	SD 187	Ignition switch	37	2612	Battery strap bolt (5 x 8)
17	SD 188	Ignition key	38	3515	Battery strap washer
18	SD 189	Headlight switch panel	39	2516	Battery strap nut
19	SD 190	Headlight switch cover	40	SD 203	Horn
20	SD 191	Headlight switch plate	41	2518	Horn screw (8 x 16)
			42	2508	Horn screw lock washer

www.rpw.it

## 100 CC PARTS

MACHINE GROUP, IGNITION, ELECTRICAL PLANT, SPEEDOMETER

TABLE 8

Ref.	Part No.	Description	Ref.	Part No.	Description
3	2512	Horn screw nut	57	SD211	Stop light switch rub. cap small
4	SD204	H.T. Coil	58	3704	Stop light switch screw (8x30)
5	2522	H.T. coil bolt	59	2549	Stop light switch screw fl. washer (8,4)
6	3515	H.T. coil bolt flat washer	60	2512	Stop light switch nut (8MM)
7	2521	H.T. coil lock washer (5,3MM)	61	SD212	Wiring harness
8	2516	H.T. coil bolt nut (5MM)	62	2604	Wire strap short
9	SD205	Spark plug wire	63	2605	Wire strap long
0	SD206	Spark plug cap	64	SD308	Speedometer complete
1	SD207	Spark plug	65	SD214	Speedometer
2	3518	Stop light switch wire clamp	66	SD215	Speedometer rubber ring
3	3517	Stop light switch bracket	67	SD216	Speedometer cable
4	SD208	Stop light switch	68	SD309	Speedometer drive
5	SD209	Stop light switch spring	69	SD218	Speedometer inner cable
5	SD210	Stop light switch rub. cap large	70	7001/S	Seal beams
			71	SD182/A	Headlight rim
			72	4003/S	Wire plug
			73	6729	Spring